



# Test Report

Report No.: PTC20022702605C-EN01

Issue Date: Jan. 16, 2021

Page 1 of 4

**Sample Name:** Rechargeable Li-ion Cell

**Style No.:** BJY602030 300mAh

**Manufacture:**

**Address:**

**Sample Received Date:** Jan. 11, 2021

**Completed Date:** Jan. 16, 2021

**Test Requested and Conclusion(s):**

No.	Test Sample	Standard and Requirement	Conclusion(s)
1	Submitted sample	European Directive 2013/56/EU (Amendment of 2006/66/EC) – Heavy Metals Content in Batteries and Accumulators and Waste Batteries and Accumulators	PASS

**Test Result(s):** Please refer to next page(s).

Signed for and on Behalf of PTC



Miya Ning / Technical Manger

Precise Testing & Certification (Guangdong) Co., Ltd.

This report is issued according to the general clauses in [www.ptc-testing.com](http://www.ptc-testing.com) by PTC. Responsibility, guarantee and law restriction are defined in the general service clauses. The report is only responsible for the submitted sample(s) except as otherwise noted.  
The report could not be copied without permission

**Precise Testing & Certification (Guangdong) Co., Ltd. (PTC)**

Building 1, No. 6, Tongxin Road, Dongcheng Street, Dongguan, Guangdong, China.  
Tel: 86-769-38808222 Fax: 86-769-38826111 [http:// www.ptc-testing.com](http://www.ptc-testing.com)



# Test Report

Report No.: PTC20022702605C-EN01

Issue Date: Jan. 16, 2021

Page 2 of 4

## Test Result(s):

Heavy Metals Content in Batteries and Accumulators and Waste Batteries and Accumulators – European Directive 2013/56/EU (Amendment of 2006/66/EC)

Method: Sample was digested with acid mixture, and analyzed by Inductively Coupled Argon Plasma Spectrometer / Inductively Coupled Plasma Mass Spectrometer (ICP-OES).

Substances	Pb	Cd	Hg	Conclusion
Limit	0.004%	0.002%	0.0005%	
RL	0.0005%	0.0005%	0.0005%	
Material No.	Result (%)			PASS
1	N.D.	N.D.	N.D.	

Comment:

1. Marking requirement:

According to 2006/66/EC, all batteries, accumulators and battery packs shall be appropriately marked with the symbol as below:



The symbols shall be printed visibly, legibly and indelibly and the size of covered area on battery, accumulator or battery pack shall be:

- Cylindrical cells: at least 1.5 % of surface area (maximum 5 x 5 cm)
  - Others: at least 3 % of surface area of the largest side (maximum 5 x 5 cm)
  - When the size of the battery, accumulator or battery pack is such that the symbol would be smaller than 0.5 x 0.5 cm, a symbol at least 1 x 1 cm shall be printed on the packaging.
2. When the sample consists of the heavy metal content exceeding the below limit, the product shall be marked with the chemical symbol for the metal concerned: Hg, Cd or Pb. The symbol indicating the heavy metal content shall be printed beneath the symbol shown in point 1 and shall cover an area of at least one-quarter the size of that symbol.
- Portable Batteries or Accumulators except Button Cells: containing lead exceeding 0.004%
  - Non-Portable Batteries or Accumulators: containing cadmium exceeding 0.002% or lead exceeding 0.004%
  - Button Cells: containing mercury from 0.0005% to 2.0% or lead exceeding 0.004%.

This report is issued according to the general clauses in [www.ptc-testing.com](http://www.ptc-testing.com) by PTC. Responsibility, guarantee and law restriction are defined in the general service clauses. The report is only responsible for the submitted sample(s) except as otherwise noted.  
The report could not be copied without permission

**Precise Testing & Certification (Guangdong) Co., Ltd. (PTC)**

Building 1, No. 6, Tongxin Road, Dongcheng Street, Dongguan, Guangdong, China.  
Tel: 86-769-38808222 Fax: 86-769-38826111 [http:// www.ptc-testing.com](http://www.ptc-testing.com)



# Test Report

Report No.: PTC20022702605C-EN01

Issue Date: Jan. 16, 2021

Page 3 of 4

- 3. - Cordless power tools shall not contain more than 0.002% cadmium after Dec 31, 2016.
- Button cells shall not contain more than 2% mercury until Oct 1, 2015. After that, all button cells shall not contain more than 0.0005% mercury

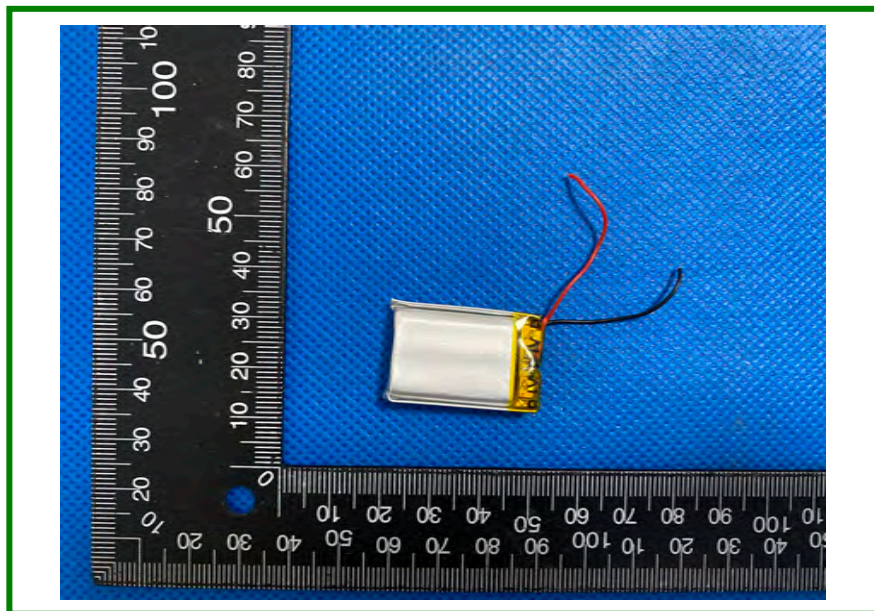
- Note:**
- 1. % = percentage.
  - 2. N.D. = Not Detected (< RL).
  - 3. RL = Reporting Limit.

## Test Material List

The following materials apply only to the samples submitted for chemical testing.

Material No.	Description(Location)
1	Rechargeable Li-ion Cell( Whole)

## Photo(s) of Sample:



This report is issued according to the general clauses in [www.ptc-testing.com](http://www.ptc-testing.com) by PTC. Responsibility, guarantee and law restriction are defined in the general service clauses. The report is only responsible for the submitted sample(s) except as otherwise noted.  
The report could not be copied without permission

**Precise Testing & Certification (Guangdong) Co., Ltd. (PTC)**  
Building 1, No. 6, Tongxin Road, Dongcheng Street, Dongguan, Guangdong, China.  
Tel: 86-769-38808222 Fax: 86-769-38826111 [http:// www.ptc-testing.com](http://www.ptc-testing.com)

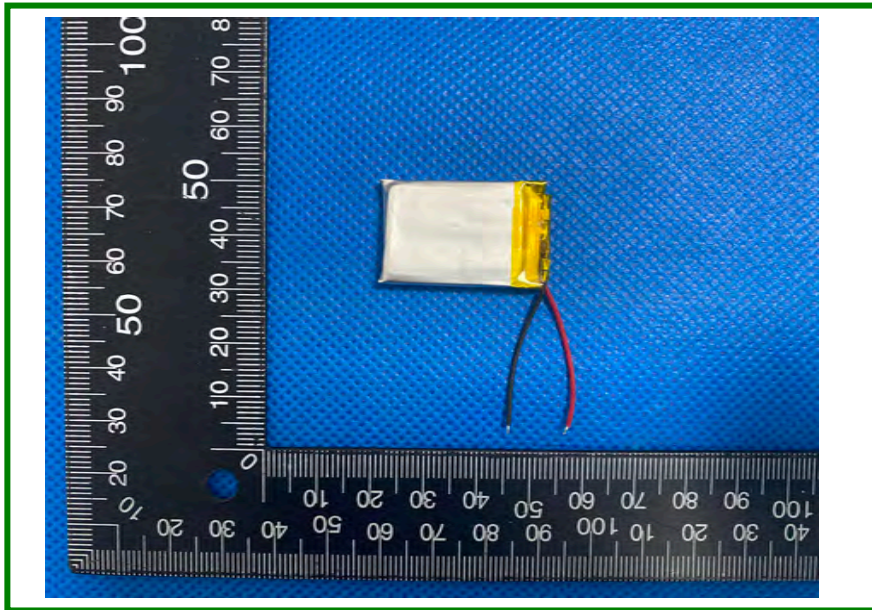


# Test Report

Report No.: PTC20022702605C-EN01

Issue Date: Jan. 16, 2021

Page 4 of 4





\*\*\*End of Report\*\*\*

This report is issued according to the general clauses in [www.ptc-testing.com](http://www.ptc-testing.com) by PTC. Responsibility, guarantee and law restriction are defined in the general service clauses. The report is only responsible for the submitted sample(s) except as otherwise noted.  
The report could not be copied without permission

**Precise Testing & Certification (Guangdong) Co., Ltd. (PTC)**  
Building 1, No. 6, Tongxin Road, Dongcheng Street, Dongguan, Guangdong, China.  
Tel: 86-769-38808222 Fax: 86-769-38826111 [http:// www.ptc-testing.com](http://www.ptc-testing.com)



<b>TEST REPORT</b> <b>IEC 62133-2</b> <b>Secondary cells and batteries containing alkaline or other non-acid electrolytes – Safety requirements for portable sealed secondary cells, and for batteries made from them, for use in portable applications – Part 2: Lithium systems</b>	
Report Number .....	SA1908221L01001
Date of issue .....	July 26, 2021
Total number of pages .....	29
Tested by (name + signature).....	Vincent Liu 
Approved by (name + signature).....	Roger Liu 
Testing Laboratory Name .....	Dongguan Anci Electronic Technology Co., Ltd.
Address .....	2 Floor, Building A, No.11, Headquarters 2 Road, Songshan Lake Hi-tech Industrial, Development Zone, Dongguan City, Guangdong Pr. China
Applicant's name .....	
Address .....	
Test specification:	
Standard .....	<input checked="" type="checkbox"/> IEC 62133-2:2019 <input type="checkbox"/> EN62133-2:2019
Test item description.....	Lithium-ion Battery
Trade Mark.....	/
Manufacturer .....	
Address .....	
Model/Type reference.....	602030
Ratings.....	3.7V, 300mAh, 1.11Wh





<b>List of Attachments (including a total number of pages in each attachment):</b>	
--	
<b>Summary of testing:</b>	
The unit is charging the empty cell and discharging the full charged cell according to the rating.	
Note:	
Charging procedures for test purposes:	
(1) Unless otherwise stated, the charging procedure for test purposes is carried out in an ambient temperature of 20±5°C, using the method declared by the manufacturer. Prior to charging, the battery/cell shall have been discharged at 20±5°C at a constant current of 0.2 It A down to a specified final voltage.	
(2) After stabilization for 1 to 4 hours respectively at ambient temperature of highest test temperature 45°C and lowest test temperature 0°C.	
<b>Tests performed (name of test and test clause):</b> cl.5.6.2 Design recommendation; cl.7.1 Charging procedure for test purposes (for Cells and Batteries); cl.7.2.1 Continuous charging at constant voltage (cells); cl.7.3.1 External short circuit (cells); cl.7.3.2 External short circuit (batteries); cl.7.3.3 Free fall (cells and batteries); cl.7.3.4 Thermal abuse (cells); cl.7.3.5 Crush (cells); cl.7.3.6 Over-charging of battery; cl.7.3.7 Forced discharge (cells); cl.7.3.8 Mechanical tests (batteries); cl.7.3.9 Design evaluation – Forced internal short circuit (cells)	<b>Testing location:</b> Dongguan Anci Electronic Technology Co., Ltd. 2 Floor, Building A, No.11, Headquarters 2 Road, Songshan Lake Hi-tech Industrial, Development Zone, Dongguan City, Guangdong Pr. China
Tests are made with the number of cells and batteries specified in IEC 62133-2: 2019 Table 1.	
<b>Summary of compliance with National Differences (List of countries addressed):</b>	
BE, CA, CN, DE, DK, FI, FR, JP, KR, NL, NO, SE, SG	
BE=Belgium, CA=Canada, CN=China, DE=Germany, DK=Denmark, FI=Finland, FR=France, JP=Japan, KR=Republic of Korea, NL=Netherlands, NO=Norway, SE=Sweden, SG=Singapore	
<input checked="" type="checkbox"/> The product fulfils the requirements of <u>EN62133-2: 2019</u>	



**Copy of marking plate:**

**The artwork below may be only a draft. The use of certification marks on a product must be authorized by the respective NCBs that own these marks.**

-	602030 1ICP6/20/30 3.7V 300mAh 1.11Wh Lithium-ion Battery
+	YYYYMMDD

Remark: "YYYY" means to years; "MM" means to months; "DD" means to days.

The "+" represents the anode; The "-" represents the cathode



IEC 62133-2			
Clause	Requirement + Test	Result - Remark	Verdict

<b>Test item particulars</b> .....		N/A	
<b>Classification of installation and use</b> .....		To be defined in final product	
<b>Supply connection</b> .....		Lead wire	
<b>Recommend charging method declared by the manufacturer</b> .....		Charging the cell battery with 60mA constant current until 4.2V, then constant voltage until charge current reduces to 15mA at ambient 20°C±5°C.	
<b>Discharge current (0,2 I<sub>t</sub> A)</b> .....		60mA	
<b>Maximum discharging current</b> .....		0.3A	
<b>Specified final voltage</b> .....		3.0V	
<b>Recommend of charging limit for lithium system</b>			
<b>Upper limit charging voltage per cell</b> .....		4.2V	
<b>Maximum charging current</b> .....		0.3A	
<b>Charging temperature upper limit</b> .....		45°C	
<b>Charging temperature lower limit</b> .....		0°C	
<b>Polymer cell electrolyte type</b> .....		<input type="checkbox"/> gel polymer ..... <input type="checkbox"/> solid polymer <input checked="" type="checkbox"/> N/A	

<b>Possible test case verdicts:</b>	
- test case does not apply to the test object.....	N/A
- test object does meet the requirement.....	P (Pass)
- test object does not meet the requirement.....	F (Fail)

<b>Testing</b> .....	
<b>Date of receipt of test item</b> .....	July 07, 2021
<b>Date (s) of performance of tests</b> .....	July 07-26, 2021

<b>General remarks:</b>
The test results presented in this report relate only to the object tested. This report shall not be reproduced, except in full, without the written approval of the Issuing testing laboratory. "(See Enclosure #)" refers to additional information appended to the report. "(See appended table)" refers to a table appended to the report.
<b>Throughout this report a <input type="checkbox"/> comma / <input checked="" type="checkbox"/> point is used as the decimal separator.</b>

<b>General product information:</b>
1. Physical Size: Max. 6.0mm (T) x Max 20.0mm (W) x Max.30.0mm (L).
2. The maximum ambient temperature is specified as 45°C for Charging and 60°C for Discharging.





IEC 62133-2			
Clause	Requirement + Test	Result - Remark	Verdict

**General product information:**

This battery is constructed with 1 Lithium-ion Cell in 1S1P, and the cells were passed the standard IEC 62133-2:2019.

The main features of the battery are shown as below (clause 7.1.1):

Model	Nominal capacity	Nominal voltage	Nominal Charge Current	Nominal Discharge Current	Maximum Charge Current	Maximum Discharge Current	Maximum Charge Voltage	Cut-off Voltage
602030	300mAh	3.7V	60mA	60mA	300mA	300mA	4.2V	3.0V

The main features of the battery are shown as below (clause 7.1.2):

Model	Upper limit charge voltage	Taper-off current	Lower charge temperature	Upper charge temperature
602030	4.2V	15mA	0°C	45°C

The main features of the cell in the battery are shown as below (clause 7.1.1):

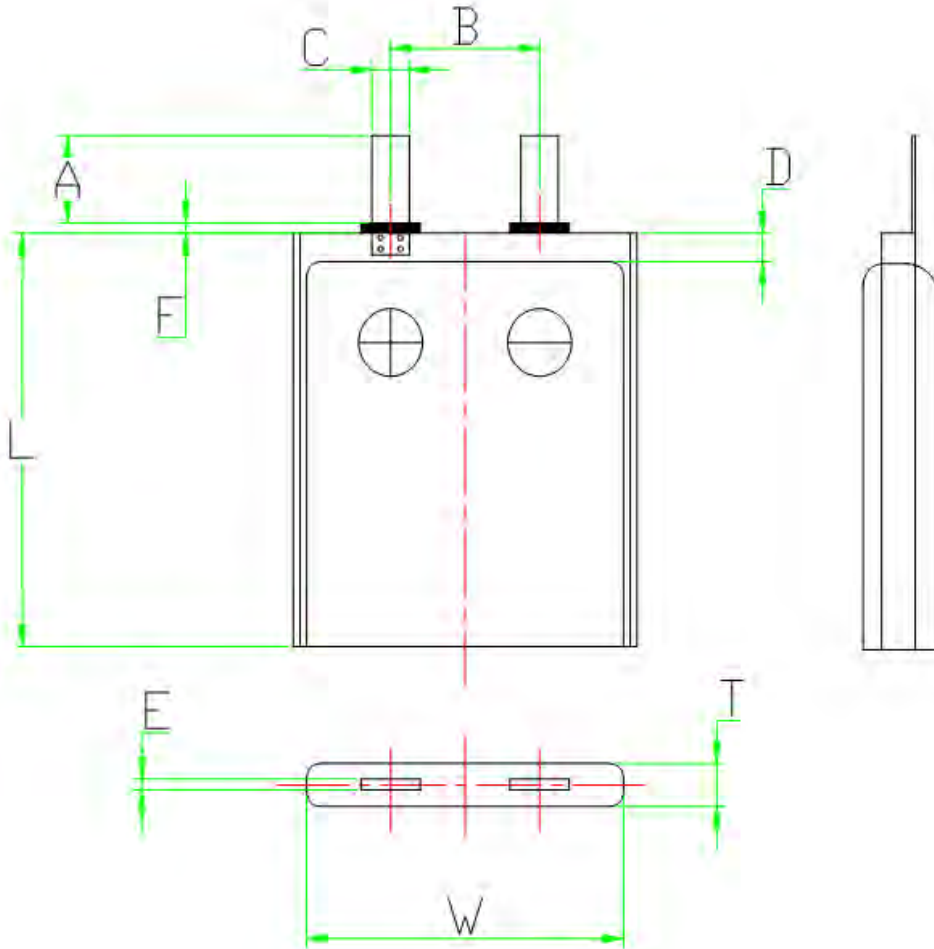
Model	Nominal capacity	Nominal voltage	Nominal Charge Current	Nominal Discharge Current	Maximum Charge Current	Maximum Discharge Current	Maximum Charge Voltage	Cut-off Voltage
602030	300mAh	3.7V	60mA	60mA	300mA	300mA	4.2V	3.0V

The main features of the cell in the battery are shown as below (clause 7.1.2):

Model	Upper limit charge voltage	Taper-off current	Lower charge temperature	Upper charge temperature
602030	4.2V	15mA	0°C	45°C

IEC 62133-2			
Clause	Requirement + Test	Result - Remark	Verdict

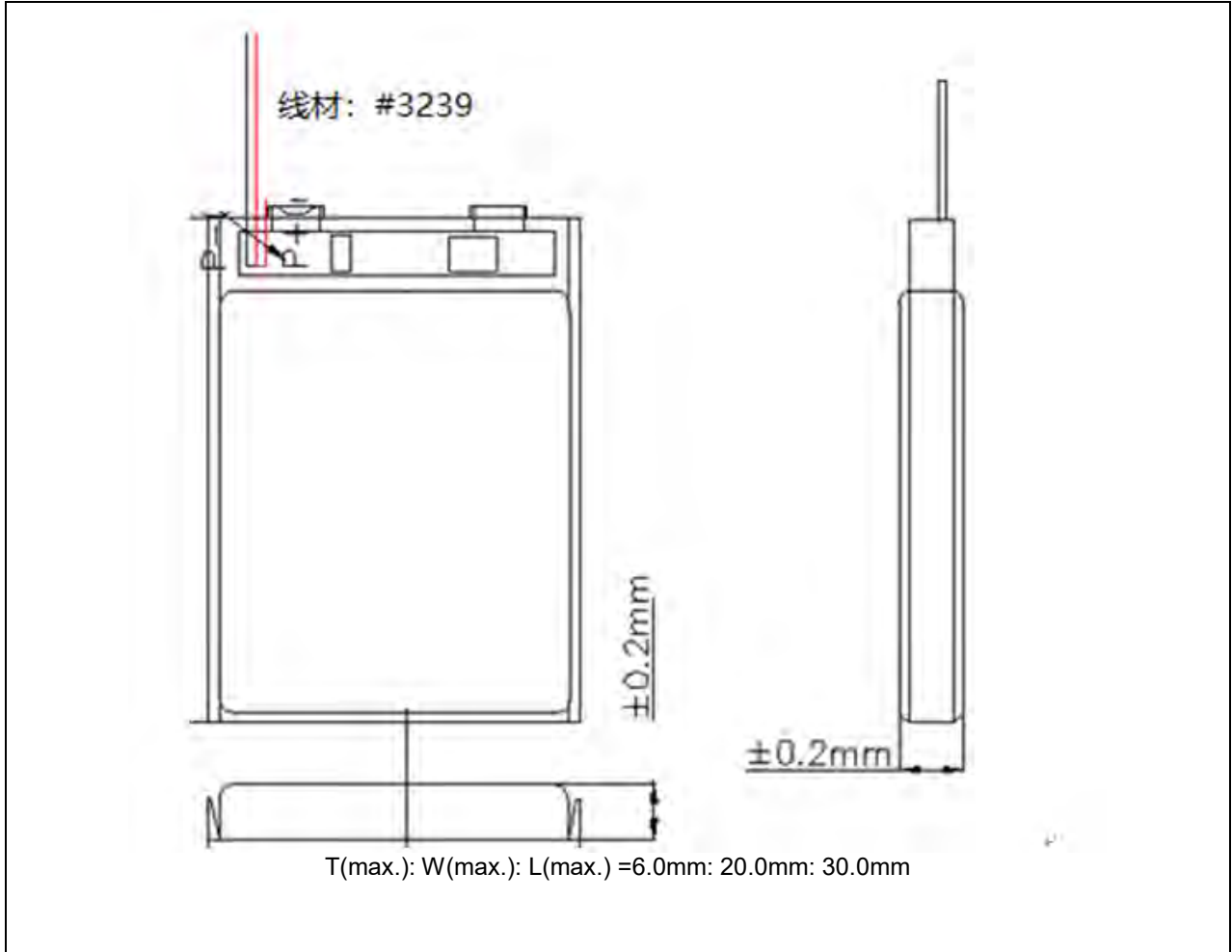
Construction:



T(max.): W(max.): L(max.) = 6.0mm: 20.0mm: 30.0mm

IEC 62133-2

Clause	Requirement + Test	Result - Remark	Verdict
--------	--------------------	-----------------	---------



IEC 62133-2			
Clause	Requirement + Test	Result - Remark	Verdict
<b>4</b>	<b>PARAMETER MEASUREMENT TOLERANCES</b>		P
	Parameter measurement tolerances		P
<b>5</b>	<b>GENERAL SAFETY CONSIDERATIONS</b>		P
<b>5.1</b>	<b>General</b>		P
	Cells and batteries so designed and constructed that they are safe under conditions of both intended use and reasonably foreseeable misuse		P
<b>5.2</b>	<b>Insulation and wiring</b>		P
	The insulation resistance between the positive terminal and externally exposed metal surfaces of the battery (excluding electrical contact surfaces) is not less than 5 MΩ	No metal surface exists.	N/A
	Insulation resistance (MΩ) ..... :		—
	Internal wiring and insulation are sufficient to withstand maximum anticipated current, voltage and temperature requirements		N/A
	Orientation of wiring maintains adequate clearance and creepage distances between conductors		P
	Mechanical integrity of internal connections accommodates reasonably foreseeable misuse		P
<b>5.3</b>	<b>Venting</b>		P
	Battery cases and cells incorporate a pressure relief mechanism or are constructed so that they relieve excessive internal pressure at a value and rate that will preclude rupture, explosion and self-ignition	Venting mechanism exists on the narrow side of pouch cell.	P
	Encapsulation used to support cells within an outer casing does not cause the battery to overheat during normal operation nor inhibit pressure relief		N/A
<b>5.4</b>	<b>Temperature, voltage and current management</b>		P
	Batteries are designed such that abnormal temperature rise conditions are prevented	Overcharge, over discharge, over current and short-circuit proof circuit used in this battery. See tests of clause 7.	P
	Batteries are designed to be within temperature, voltage and current limits specified by the cell manufacturer	See above.	P
	Batteries are provided with specifications and charging instructions for equipment manufacturers so that specified chargers are designed to maintain charging within the temperature, voltage and current limits specified	The charging limits specified in the user manual.	P
<b>5.5</b>	<b>Terminal contacts</b>		P

IEC 62133-2			
Clause	Requirement + Test	Result - Remark	Verdict
	The size and shape of the terminal contacts ensure that they can carry the maximum anticipated current	Copper plate contacts complied with the requirements.	P
	External terminal contact surfaces are formed from conductive materials with good mechanical strength and corrosion resistance		P
	Terminal contacts are arranged to minimize the risk of short-circuit		P
<b>5.6</b>	<b>Assembly of cells into batteries</b>		P
5.6.1	General		P
	Each battery have an independent control and protection for current, voltage, temperature and any other parameter required for safety and to maintain the cells within their operating region	Protective circuit equipped on battery.	P
	This protection may be provided external to the battery such as within the charger or the end devices		N/A
	If protection is external to the battery, the manufacturer of the battery provide this safety relevant information to the external device manufacturer for implementation		N/A
	If there is more than one battery housed in a single battery case, each battery have protective circuitry that can maintain the cells within their operating regions		N/A
	Manufacturers of cells specify current, voltage and temperature limits so that the battery manufacturer/designer may ensure proper design and assembly	Current, voltage and temperature limits specified by cell manufacturer.	P
	Batteries that are designed for the selective discharge of a portion of their series connected cells incorporate circuitry to prevent operation of cells outside the limits specified by the cell manufacturer		N/A
	Protective circuit components added as appropriate and consideration given to the end-device application		P
	The manufacturer of the battery provide a safety analysis of the battery safety circuitry with a test report including a fault analysis of the protection circuit under both charging and discharging conditions confirming the compliance	Safety analysis report provided by manufacturer.	P
5.6.2	Design recommendation		P

IEC 62133-2			
Clause	Requirement + Test	Result - Remark	Verdict
	For the battery consisting of a single cell or a single cellblock, it is recommended that the charging voltage of the cell does not exceed the upper limit of the charging voltage specified in Table 2		P
	For the battery consisting of series-connected plural single cells or series-connected plural cellblocks, it is recommended that the voltages of any one of the single cells or single cellblocks does not exceed the upper limit of the charging voltage, specified in Table 2, by monitoring the voltage of every single cell or the single cellblocks		N/A
	For the battery consisting of series-connected plural single cells or series-connected plural cellblocks, it is recommended that charging is stopped when the upper limit of the charging voltage is exceeded for any one of the single cells or single cellblocks by measuring the voltage of every single cell or the single cellblocks		N/A
	For batteries consisting of series-connected cells or cell blocks, nominal charge voltage not be counted as an overcharge protection		N/A
	For batteries consisting of series-connected cells or cell blocks, cells have closely matched capacities, be of the same design, be of the same chemistry and be from the same manufacturer		P
	It is recommended that the cells and cell blocks not discharged beyond the cell manufacturer's specified final voltage	Final voltage of battery: 3.0V, not exceed the final voltage specified by cell manufacturer.	P
	For batteries consisting of series-connected cells or cell blocks, cell balancing circuitry incorporated into the battery management system		N/A
5.6.3	Mechanical protection for cells and components of batteries		P
	Mechanical protection for cells, cell connections and control circuits within the battery provided to prevent damage as a result of intended use and reasonably foreseeable misuse	Mechanical protection for cell connections and control circuits provided.	P
	The mechanical protection can be provided by the battery case or it can be provided by the end product enclosure for those batteries intended for building into an end product	Build-in batteries, mechanical protection for cells should be provided by end product.	N/A
	The battery case and compartments housing cells designed to accommodate cell dimensional tolerances during charging and discharging as recommended by the cell manufacturer	To be evaluated in final system.	N/A

IEC 62133-2			
Clause	Requirement + Test	Result - Remark	Verdict
	For batteries intended for building into a portable end product, testing with the battery installed within the end product considered when conducting mechanical tests		N/A
<b>5.7</b>	<b>Quality plan</b>		P
	The manufacturer prepares and implements a quality plan that defines procedures for the inspection of materials, components, cells and batteries and which covers the whole process of producing each type of cell or battery	Complied. Quality plan provided.	P
<b>5.8</b>	<b>Battery safety components</b>		N/A
	According annex F	See TABLE: Critical components information	N/A

<b>6</b>	<b>TYPE TEST AND SAMPLE SIZE</b>		P
	Tests are made with the number of cells or batteries specified in Table 1 using cells or batteries that are not more than six months old		P
	Coin cells with resistance $\leq 3 \Omega$ (measured according annex D) are tested according table 1	Not coin cells	N/A
	Unless otherwise specified, tests are carried out in an ambient temperature of $20 \text{ }^\circ\text{C} \pm 5 \text{ }^\circ\text{C}$		P
	The safety analysis of 5.6.1 identify those components of the protection circuit that are critical for short-circuit, overcharge and overdischarge protection		P
	When conducting the short-circuit test, consideration given to the simulation of any single fault condition that is likely to occur in the protecting circuit that would affect the short-circuit test	See clause 7.3.2.	P

<b>7</b>	<b>SPECIFIC REQUIREMENTS AND TESTS</b>		P
<b>7.1</b>	<b>Charging procedure for test purposes</b>		P
7.1.1	First procedure		P
	This charging procedure applies to subclauses other than those specified in 7.1.2		P
	Unless otherwise stated in this document, the charging procedure for test purposes is carried out in an ambient temperature of $20 \text{ }^\circ\text{C} \pm 5 \text{ }^\circ\text{C}$ , using the method declared by the manufacturer	See page 5.	P
	Prior to charging, the battery have been discharged at $20 \text{ }^\circ\text{C} \pm 5 \text{ }^\circ\text{C}$ at a constant current of 0,2 It A down to a specified final voltage	See page 5.	P
7.1.2	Second procedure		P



IEC 62133-2			
Clause	Requirement + Test	Result - Remark	Verdict
	This charging procedure applies only to 7.3.1, 7.3.4, 7.3.5, and 7.3.9		P
	After stabilization for 1 h and 4 h, respectively, at ambient temperature of highest test temperature and lowest test temperature, as specified in Table 2, cells are charged by using the upper limit charging voltage and maximum charging current, until the charging current is reduced to 0,05 It A, using a constant voltage charging method	Charge temperature specified by manufacturer: 0-45°C.	P
<b>7.2</b>	<b>Intended use</b>		P
7.2.1	Continuous charging at constant voltage (cells)		P
	Fully charged cells are subjected for 7 days to a charge using the charging method for current and standard voltage specified by the cell manufacturer	.	P
	Results: No fire. No explosion. No leakage .....	(See appended table 7.2.1)	N/A
7.2.2	Case stress at high ambient temperature (battery)		N/A
	Oven temperature (°C).....	70°C, 7hours	—
	Results: No physical distortion of the battery case resulting in exposure of internal protective components and cells		N/A
<b>7.3</b>	<b>Reasonably foreseeable misuse</b>		P
7.3.1	External short-circuit (cell)	Tested complied.	P
	The cells were tested until one of the following occurred:		P
	- 24 hours elapsed; or		N/A
	- The case temperature declined by 20 % of the maximum temperature rise		P
	Results: No fire. No explosion.....	(See appended table 7.3.1)	P
7.3.2	External short-circuit (battery)	Tested complied.	P
	The batteries were tested until one of the following occurred:		P
	- 24 hours elapsed; or		N/A
	- The case temperature declined by 20 % of the maximum temperature rise		N/A
	In case of rapid decline in short circuit current, the battery pack remained on test for an additional one hour after the current reached a low end steady state condition		P
	A single fault in the discharge protection circuit conducted on one to four (depending upon the protection circuit) of the five samples before conducting the short-circuit test	Single fault conducted on three samples.	P

IEC 62133-2			
Clause	Requirement + Test	Result - Remark	Verdict
	A single fault applies to protective component parts such as MOSFET, fuse, thermostat or positive temperature coefficient (PTC) thermistor	Single fault applies on MOSFET.	P
	Results: No fire. No explosion..... :	(See appended table 7.3.2)	P
7.3.3	Free fall	Tested complied.	P
	Results: No fire. No explosion	No fire. No explosion	P
7.3.4	Thermal abuse (cells)	Tested complied.	P
	Oven temperature (°C)..... :	130°C	—
	Results: No fire. No explosion	No fire. No explosion	P
7.3.5	Crush (cells)	Tested complied.	P
	The crushing force was released upon:		P
	- The maximum force of 13 kN ± 0,78 kN has been applied; or		P
	- An abrupt voltage drop of one-third of the original voltage has been obtained		N/A
	Results: No fire. No explosion..... :	(See appended table 7.3.5)	P
7.3.6	Over-charging of battery	Tested complied.	P
	The supply voltage which is:		P
	- 1,4 times the upper limit charging voltage presented in Table A.1 (but not to exceed 6,0 V) for single cell/cell block batteries or	5.88V applied.	P
	- 1,2 times the upper limit charging voltage resented in Table A.1 per cell for series connected multi-cell batteries, and		N/A
	- Sufficient to maintain a current of 2,0 It A throughout the duration of the test or until the supply voltage is reached		P
	Test was continued until the temperature of the outer casing:		P
	- Reached steady state conditions (less than 10 °C change in 30-minute period); or		P
	- Returned to ambient		N/A
	Results: No fire. No explosion..... :	(See appended table 7.3.6)	P
7.3.7	Forced discharge (cells)	Tested complied.	P
	If the discharge voltage reaches the negative value of upper limit charging voltage within the testing duration, the voltage is maintained at the negative value of the upper limit charging voltage by reducing the current for the remainder of the testing duration		N/A

IEC 62133-2			
Clause	Requirement + Test	Result - Remark	Verdict
	If the discharge voltage does not reach the negative value of upper limit charging voltage within the testing duration, the test is terminated at the end of the testing duration		P
	Results: No fire. No explosion..... :	(See appended table 7.3.7)	P
7.3.8	Mechanical tests (batteries)		P
7.3.8.1	Vibration	Tested complied.	P
	Results: No fire, no explosion, no rupture, no leakage or venting. .... :	(See appended table 7.3.8.1)	P
7.3.8.2	Mechanical shock	Tested complied.	P
	Results: No leakage, no venting, no rupture, no explosion and no fire ..... :	(See appended table 7.3.8.2)	P
7.3.9	Design evaluation – Forced internal short-circuit (cells)	Tested complied.	P
	The cells complied with national requirement for ..... :	France, Japan, Republic of Korea, Switzerland	—
	The pressing was stopped upon:		P
	- A voltage drop of 50 mV has been detected; or		N/A
	- The pressing force of 800 N (cylindrical cells) or 400 N (prismatic cells) has been reached	400N for prismatic cell.	P
	Results: No fire ..... :	(See appended table 7.3.9)	P

<b>8</b>	<b>INFORMATION FOR SAFETY</b>		P
<b>8.1</b>	<b>General</b>		P
	Manufacturers of secondary cells ensure that information is provided about current, voltage and temperature limits of their products	Information for safety mentioned in manufacturer's specifications.	P
	Manufacturers of batteries ensure that equipment manufacturers and, in the case of direct sales, end-users are provided with information to minimize and mitigate hazards	Information for safety mentioned in manufacturer's specifications.	P
	Systems analyses performed by device manufacturers to ensure that a particular battery design prevents hazards from occurring during use of a product		N/A
	As appropriate, any information relating to hazard avoidance resulting from a system analysis provided to the end user		N/A
	Do not allow children to replace batteries without adult supervision		N/A
<b>8.2</b>	<b>Small cell and battery safety information</b>	Not small cell and battery.	N/A

IEC 62133-2			
Clause	Requirement + Test	Result - Remark	Verdict
	The following warning language is to be provided with the information packaged with the small cells and batteries or equipment using them:		N/A
	- Keep small cells and batteries which are considered swallowable out of the reach of children		N/A
	- Swallowing may lead to burns, perforation of soft tissue, and death. Severe burns can occur within 2 h of ingestion		N/A
	- In case of ingestion of a cell or battery, seek medical assistance promptly		N/A
<b>9</b>	<b>MARKING</b>		P
<b>9.1</b>	<b>Cell marking</b>	The final product is battery	N/A
	Cells marked as specified in IEC 61960, except coin cells		N/A
	Coin cells whose external surface area is too small to accommodate the markings on the cells show the designation and polarity		N/A
	By agreement between the cell manufacturer and the battery and/or end product manufacturer, component cells used in the manufacture of a battery need not be marked		N/A
<b>9.2</b>	<b>Battery marking</b>		P
	Batteries marked as specified in IEC 61960, except for coin batteries	See marking plate on page 3.	P
	Coin batteries whose external surface area is too small to accommodate the markings on the batteries show the designation and polarity. Batteries also marked with an appropriate caution statement		N/A
	Terminals have clear polarity marking on the external surface of the battery		P
	Batteries with keyed external connectors designed for connection to specific end products need not be marked with polarity markings if the design of the external connector prevents reverse polarity connections		N/A
<b>9.3</b>	<b>Caution for ingestion of small cells and batteries</b>	Not small cell and battery.	N/A
	Coin cells and batteries identified as small batteries according to 8.2 include a caution statement regarding the hazards of ingestion in accordance with 8.2		N/A

IEC 62133-2			
Clause	Requirement + Test	Result - Remark	Verdict
	When small cells and batteries are intended for direct sale in consumer-replaceable applications, caution for ingestion given on the immediate package		N/A
<b>9.4</b>	<b>Other information</b>		P
	Storage and disposal instructions	Information for storage and disposal instructions mentioned in manufacturer's specifications.	P
	Recommended charging instructions	Information for recommended charging instructions mentioned in manufacturer's specifications.	P

<b>10</b>	<b>PACKAGING AND TRANSPORT</b>		P
	Packaging for coin cells not small enough to fit within the limits of the ingestion gauge of Figure 3	Not coin cells.	N/A
	The materials and packaging design are chosen so as to prevent the development of unintentional electrical conduction, corrosion of the terminals and ingress of environmental contaminants		P

<b>ANNEX A</b>	<b>CHARGING AND DISCHARGING RANGE OF SECONDARY LITHIUM ION CELLS FOR SAFE USE</b>		P
<b>A.1</b>	<b>General</b>		P
<b>A.2</b>	<b>Safety of lithium ion secondary battery</b>	Complied.	P
<b>A.3</b>	<b>Consideration on charging voltage</b>	Complied.	P
A.3.1	General		P
A.3.2	Upper limit charging voltage	4.2V.	P
A.3.2.1	General		P
A.3.2.2	Explanation of safety viewpoint		P
A.3.2.3	Safety requirements, when different upper limit charging voltage is applied		P
<b>A.4</b>	<b>Consideration of temperature and charging current</b>		P
A.4.1	General		P
A.4.2	Recommended temperature range	See A.4.2.2.	P
A.4.2.1	General		P
A.4.2.2	Safety consideration when a different recommended temperature range is applied	Charging temperature declared by client is:-10-60°C	P

IEC 62133-2			
Clause	Requirement + Test	Result - Remark	Verdict
A.4.3	High temperature range		N/A
A.4.3.1	General		N/A
A.4.3.2	Explanation of safety viewpoint		N/A
A.4.3.3	Safety considerations when specifying charging conditions in the high temperature range		N/A
A.4.3.4	Safety considerations when specifying a new upper limit in the high temperature range		N/A
A.4.4	Low temperature range		N/A
A.4.4.1	General		N/A
A.4.4.2	Explanation of safety viewpoint		N/A
A.4.4.3	Safety considerations, when specifying charging conditions in the low temperature range		N/A
A.4.4.4	Safety considerations when specifying a new lower limit in the low temperature range		N/A
A.4.5	Scope of the application of charging current		P
A.4.6	Consideration of discharge		P
A.4.6.1	General		P
A.4.6.2	Final discharge voltage and explanation of safety viewpoint	Battery specified final voltage 3.0V, not exceed 3.0V specified by cell manufacturer.	P
A.4.6.3	Discharge current and temperature range		P
A.4.6.4	Scope of application of the discharging current		P
<b>A.5</b>	<b>Sample preparation</b>		P
A.5.1	General		P
A.5.2	Insertion procedure for nickel particle to generate internal short		P
A.5.3	Disassembly of charged cell		P
A.5.4	Shape of nickel particle		P
A.5.5	Insertion of nickel particle in cylindrical cell		N/A
A.5.5.1	Insertion of nickel particle in winding core		N/A
A.5.5.2	Marking the position of the nickel particle on both ends of the winding core of the separator		N/A
A.5.6	Insertion of nickel particle in prismatic cell		P
<b>A.6</b>	<b>Experimental procedure of the forced internal short-circuit test</b>		P
A.6.1	Material and tools for preparation of nickel particle		P
A.6.2	Example of a nickel particle preparation procedure		P
A.6.3	Positioning (or placement) of a nickel particle		P

IEC 62133-2			
Clause	Requirement + Test	Result - Remark	Verdict
A.6.4	Damaged separator precaution		P
A.6.5	Caution for rewinding separator and electrode		P
A.6.6	Insulation film for preventing short-circuit		P
A.6.7	Caution when disassembling a cell		P
A.6.8	Protective equipment for safety		P
A.6.9	Caution in the case of fire during disassembling		P
A.6.10	Caution for the disassembling process and pressing the electrode core		P
A.6.11	Recommended specifications for the pressing device		P
<b>ANNEX B</b>	<b>RECOMMENDATIONS TO EQUIPMENT MANUFACTURERS AND BATTERY ASSEMBLERS</b>		N/A
<b>ANNEX C</b>	<b>RECOMMENDATIONS TO THE END-USERS</b>		N/A
<b>ANNEX D</b>	<b>MEASUREMENT OF THE INTERNAL AC RESISTANCE FOR COIN CELLS</b>		N/A
<b>D.1</b>	<b>General</b>	Not coin cells.	N/A
<b>D.2</b>	<b>Method</b>		N/A
	A sample size of three coin cells is required for this measurement..... :	(See appended table D.2)	N/A
	Coin cells with an internal resistance of less than or equal to 3 $\Omega$ are subjected to the testing according to Clause 6 and Table 1		N/A
	Coin cells with an internal resistance greater than 3 $\Omega$ require no further testing		N/A
<b>ANNEX E</b>	<b>PACKAGING AND TRANSPORT</b>		N/A
<b>ANNEX F</b>	<b>COMPONENT STANDARDS REFERENCES</b>		N/A





IEC 62133-2			
Clause	Requirement + Test	Result - Remark	Verdict

--	TABLE: Critical components information				P
Object/part no.	Manufacturer/ trademark	Type/model	Technical data	Standard	Mark(s) of conformity <sup>1)</sup>
PCB	Interchangeable	Interchangeable	-40°C~85°C V-0	--	UL Approved
Protective IC (U1)	Shaoxing Devechip Microelectronics Co.,Ltd.	DW01	Overcharge detection voltage:4.3V+- 0.05V overdischarge detection voltage:2.4V+- 0.1V Discharge overcurrent detection voltage:150mV +- 30V Topr: - 40°C ~150°C	--	Tested with appliance
MOSFET(U2)	Shaoxing Devechip Microelectronics Co.,Ltd.	8205A	V <sub>DS</sub> =20V, V <sub>GS</sub> =± 12V, I <sub>D</sub> =6A TJ:- 55°C~150°C	--	Tested with appliance
Wire	Interchangeable	Interchangeable	28AWG, 200°C, 200V	--	UL Approved
Cell					
Cell		602030	300mAh, 3.7V	--	Tested with appliance

**Supplementary information:**

<sup>1)</sup> Provided evidence ensures the agreed level of compliance.

7.2.1	TABLE: Continuous charging at constant voltage (cells)				P
Sample no.	Recommended charging voltage V <sub>c</sub> (Vdc)	Recommended charging current I <sub>rec</sub> (A)	OCV before test (Vdc)	Results	
C1#	4.20	0.06	4.18	P	
C2#	4.20	0.06	4.17	P	
C3#	4.20	0.06	4.18	P	
C4#	4.20	0.06	4.18	P	
C5#	4.20	0.06	4.17	P	
<b>Supplementary information:</b>					
- No fire or explosion					
- No leakage					

7.3.1	TABLE: External short-circuit (cell)					P
Sample no.	Ambient T (°C)	OCV before test (Vdc)	Resistance of circuit (Ω)	Maximum case temperature rise ΔT, °C	Results	
<b>Samples charged at charging temperature upper limit (45°C)</b>						
C6#	57.0	4.20	0.092	48.6	P	
C7#	57.0	4.19	0.082	47.3	P	
C8#	57.0	4.18	0.073	54.3	P	
C9#	57.0	4.19	0.089	54.5	P	
C10#	57.0	4.19	0.076	58.4	P	
<b>Samples charged at charging temperature lower limit (0°C)</b>						
C11#	56.7	4.14	0.089	53.7	P	
C12#	56.7	4.13	0.076	53.4	P	
C13#	56.7	4.13	0.092	53.4	P	
C14#	56.7	4.14	0.079	59.0	P	
C15#	56.7	4.12	0.086	58.9	P	
<b>Supplementary information:</b>						
- No fire or explosion						

7.3.2		TABLE: External short-circuit (battery)					P
Sample no.	Ambient T (°C)	OCV before test (Vdc)	Resistance of circuit (Ω)	Maximum case temperature rise ΔT, °C	Component single fault condition	Results	
B1#	24.0	4.17	0.089	82.9	MOSFET	P	
B2#	24.0	4.18	0.092	88.6	MOSFET	P	
B3#	24.0	4.18	0.076	82.3	MOSFET	P	
B4#	24.0	4.17	0.074	88.3	MOSFET	P	
B5#	24.0	4.17	0.082	0.1	--	P	
<b>Supplementary information:</b>							
- No fire or explosion							

7.3.5		TABLE: Crush (cells)			P
Sample no.	OCV before test (Vdc)	OCV at removal of crushing force (Vdc)	Maximum force applied to the cell during crush (kN)	Results	
<b>Samples charged at charging temperature upper limit (45°C)</b>					
C19#	4.19	4.19	13.1	P	
C20#	4.20	4.20	12.7	P	
C21#	4.19	4.19	12.8	P	
C22#	4.19	4.19	12.7	P	
C23#	4.19	4.19	13.1	P	
<b>Samples charged at charging temperature lower limit (0°C)</b>					
C24#	4.13	4.13	13.1	P	
C25#	4.12	4.12	13.0	P	
C26#	4.13	4.13	12.8	P	
C27#	4.14	4.14	12.9	P	
C28#	4.13	4.13	12.9	P	
<b>Supplementary information:</b>					
- No fire or explosion					



<b>7.3.6</b>	<b>TABLE: Over-charging of battery</b>				<b>P</b>
Constant charging current (A) :			<b>0.6</b>	—	
Supply voltage (Vdc) :			<b>5.88</b>	—	
Sample no.	OCV before charging (Vdc)	Total charging time (minute)	Maximum outer case temperature (°C)	Results	
B9#	3.315	66	26.9	P	
B10#	3.326	66	29.2	P	
B11#	3.333	66	26.1	P	
B12#	3.312	66	27.1	P	
B13#	3.317	66	29.0	P	
<b>Supplementary information:</b> - No fire or explosion					

<b>7.3.7</b>	<b>TABLE: Forced discharge (cells)</b>				<b>P</b>
Sample no.	OCV before application of reverse charge (Vdc)	Measured reverse charge $I_t$ (A)	Lower limit discharge voltage (Vdc)	Results	
C39#	3.225	0.3	-1.75	P	
C40#	3.246	0.3	-1.68	P	
C4#	3.202	0.3	-1.15	P	
C42#	3.231	0.3	-1.06	P	
C43#	3.197	0.3	-1.16	P	
<b>Supplementary information:</b> - No fire or explosion					

<b>7.3.8.1</b>	<b>TABLE: Vibration</b>					<b>P</b>
Sample no.	OCV before test (Vdc)	OCV after test (Vdc)	Mass before test (g)	Mass after test (g)	Results	
B14#	4.17	4.17	6.625	6.625	P	
B15#	4.18	4.18	6.637	6.637	P	
B16#	4.17	4.17	6.619	6.619	P	

**Supplementary information:**

- No fire or explosion
- No rupture
- No leakage
- No venting

7.3.8.2	TABLE: Mechanical shock					P
Sample no.	OCV before test (Vdc)	OCV after test (Vdc)	Mass before test (g)	Mass after test (g)	Results	
B17#	4.18	4.18	6.636	6.636	P	
B18#	4.17	4.17	6.641	6.641	P	
B19#	4.17	4.17	6.627	6.627	P	

**Supplementary information:**

- No fire or explosion
- No rupture
- No leakage
- No venting

7.3.9	TABLE: Forced internal short circuit (cells)					P
Sample no.	Chamber ambient T (°C)	OCV before test (Vdc)	Particle location <sup>1)</sup>	Maximum applied pressure (N)	Results	
<b>Samples charged at charging temperature upper limit (45°C)</b>						
C44#	10	4.09	1	400.1	P	
C45#	10	4.08	1	400.9	P	
C46#	10	4.09	1	401.2	P	
C47#	10	4.09	1	400.1	P	
C48#	10	4.10	1	400.5	P	
<b>Samples charged at charging temperature lower limit (0°C)</b>						
C49#	45	4.15	1	400.5	P	
C50#	45	4.14	1	402.0	P	
C51#	45	4.16	1	401.2	P	
C52#	45	4.15	1	400.1	P	
C53#	45	4.14	1	400.1	P	

**Supplementary information:**

<sup>1)</sup> Identify one of the following:

- 1: Nickel particle inserted between positive and negative (active material) coated area.
  - 2: Nickel particle inserted between positive aluminium foil and negative active material coated area.
- No fire or explosion



D.2	TABLE: Internal AC resistance for coin cells				N/A
Sample no.	Ambient T (°C)	Store time (h)	Resistance Rac (Ω)	Results <sup>1)</sup>	

**Supplementary information:**

<sup>1)</sup> Coin cells with internal resistance less than or equal to 3 Ω, see test result on corresponding tables



<b>ATTACHMENT TO TEST REPORT IEC 62133 (ED 2.0) SINGAPORE NATIONAL DIFFERENCES</b>	
<b>Differences according to</b> .....	Consumer Protection (Consumer Goods Safety Requirements) Regulations [CGSR] as detailed in Appendix F Additional Safety Requirements Imposed by SPRING Singapore as the Safety Authority
<b>Attachment Form No.</b> .....	SG_ND_IEC62133B
<b>Attachment Originator</b> .....	TÜV Rheinland (Shenzhen) Co., Ltd.
<b>Master Attachment</b> .....	Date 2015-08

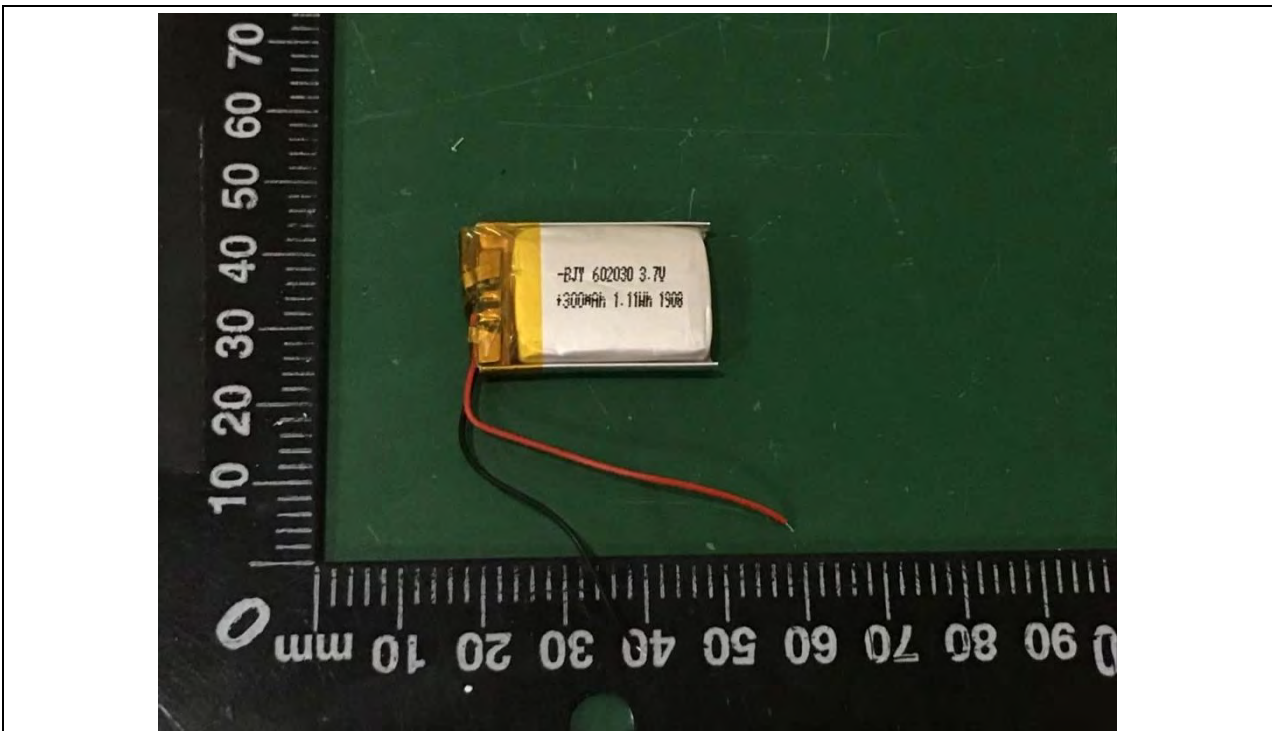
Portable power banks <sup>1</sup>	<p><b>1. Portable power banks shall comply with the requirements of the following safety standards:</b></p> <p>1.1 IEC 62133:2012 Secondary cells and batteries containing alkaline or non-acid electrolytes – Safety requirements for portable sealed secondary cells, and for batteries made from them, for use in portable applications; and            1.2 IEC 60950-1:2005+A1:2009+A2:2013 Information technology equipment – Safety – Part 1: General requirements            OR            1.3 Any other industry standard specific to power banks</p> <p><b>2 Portable power banks shall be supplied with the following safety information:</b></p> <p>2.1 'Minimum Instructions for use' as specified below            2.2 Instructions on how to charge the portable power bank            2.3 Information on the minimum and maximum operating temperatures of the portable power bank</p>		N/A
-----------------------------------	---	--	-----



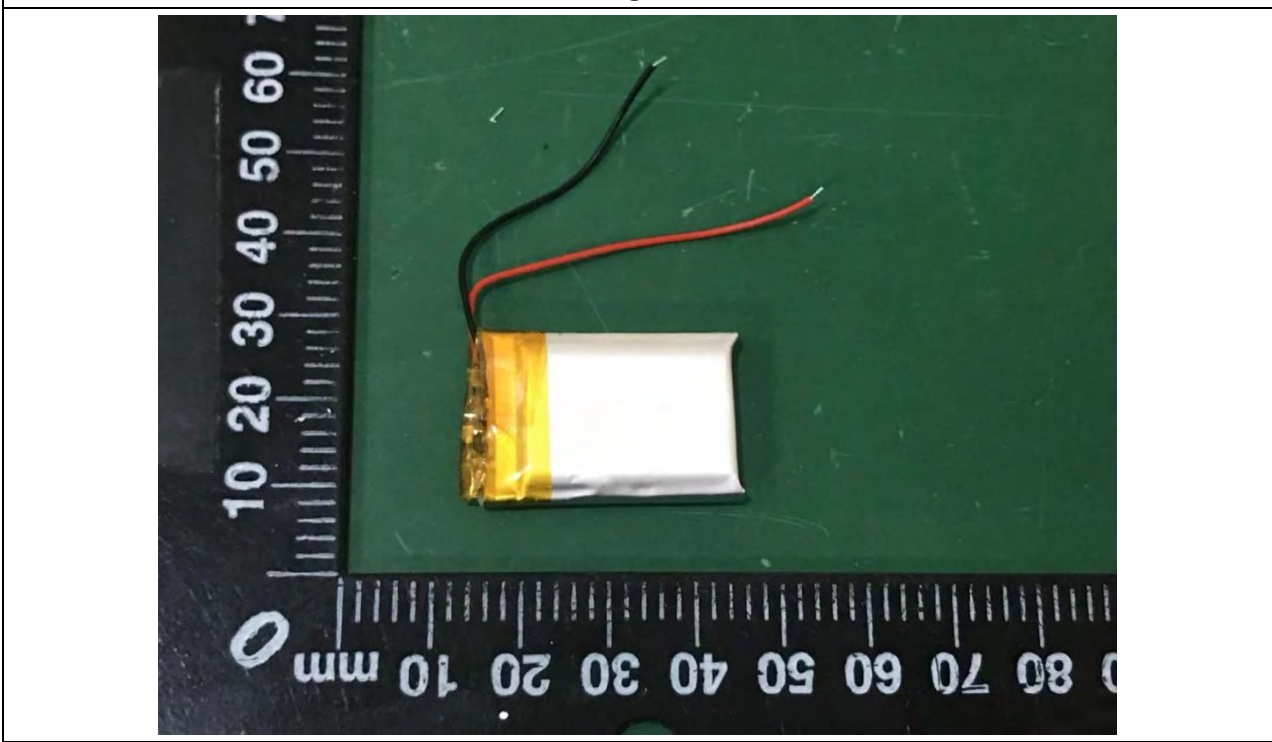


	<p><b>Minimum Instructions<sup>2</sup> for Use for Portable Power Banks</b> to be provided with portable power banks to the customer</p> <ul style="list-style-type: none"><li>a) The power bank will generate heat when charging. Always charge in a well ventilated area. Do not charge under pillows, blankets or on flammable surfaces.</li><li>b) Keep the power bank away from heat sources, direct sunlight, combustible gas, humidity, water or other liquids.</li><li>c) Do not disassemble, open, microwave, incinerate, paint or insert foreign objects into the power bank.</li><li>d) Do not subject the power bank to mechanical shock such as crushing, bending, puncturing or shredding. Avoid dropping or placing heavy object on the power bank.</li><li>e) Do not short-circuit the power bank or store it in a receptacle where it may be short-circuited by other metallic or conductive objects.</li><li>f) Do not operate the power bank if it has been wet or otherwise damaged, to prevent against electric shock, explosion and/or injury. Contact the dealer or authorized agent.</li><li>g) Power bank usage by children should be supervised.</li><li>h) Please read the operating instructions (including charging instructions and information on the minimum and maximum operating temperatures), supplied with this power bank.</li></ul>		N/A
--	--	--	-----

**Photos**

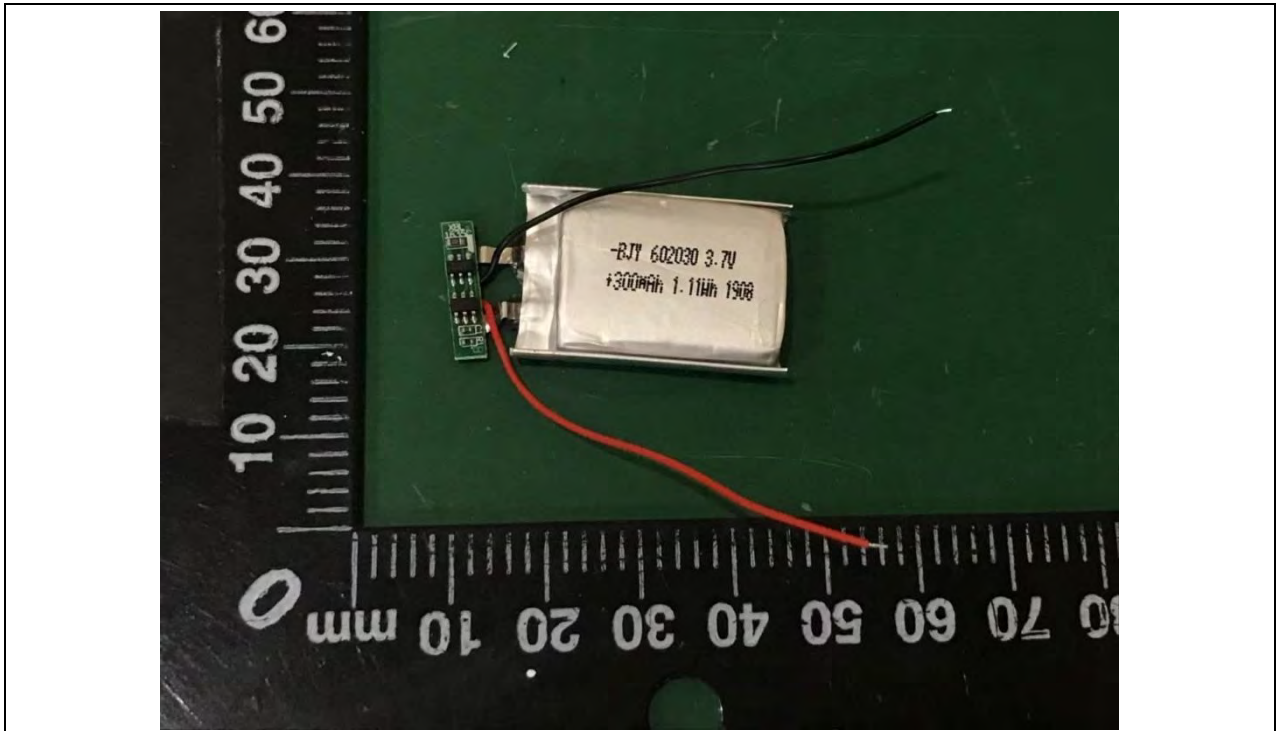


**Fig. 1**

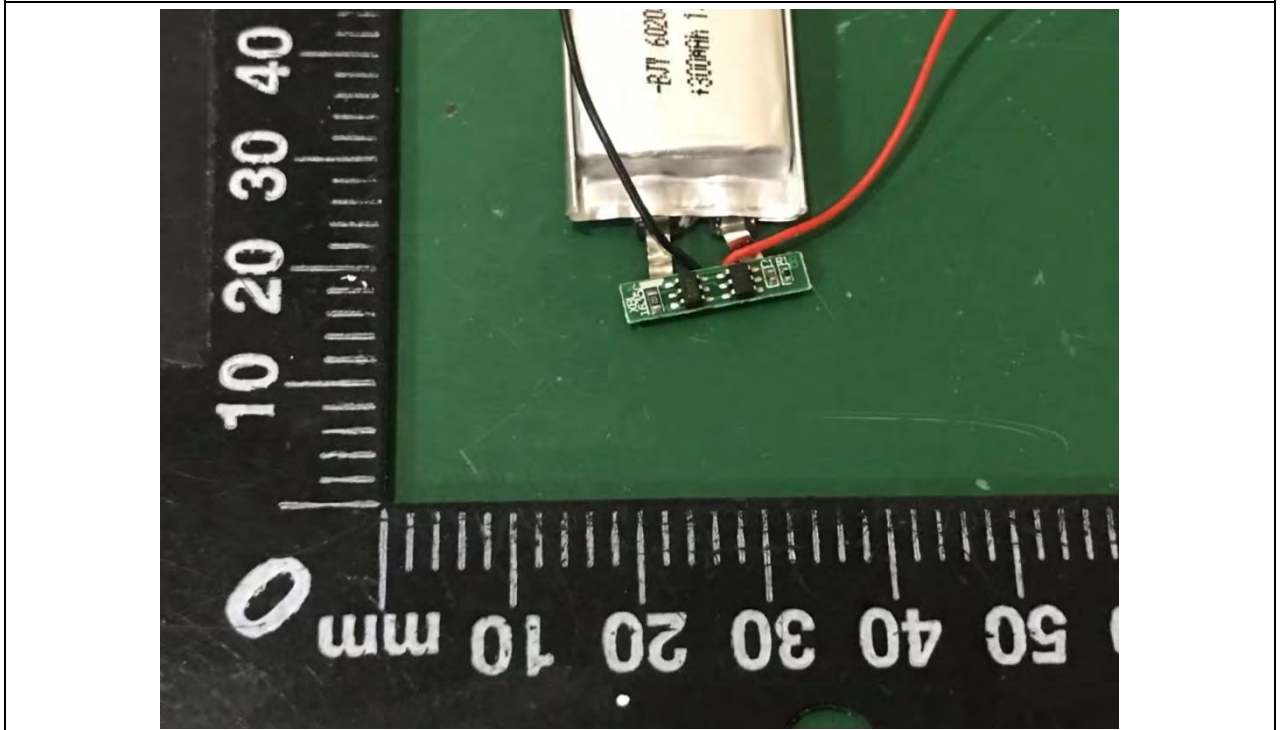


**Fig. 2**

**Photos**



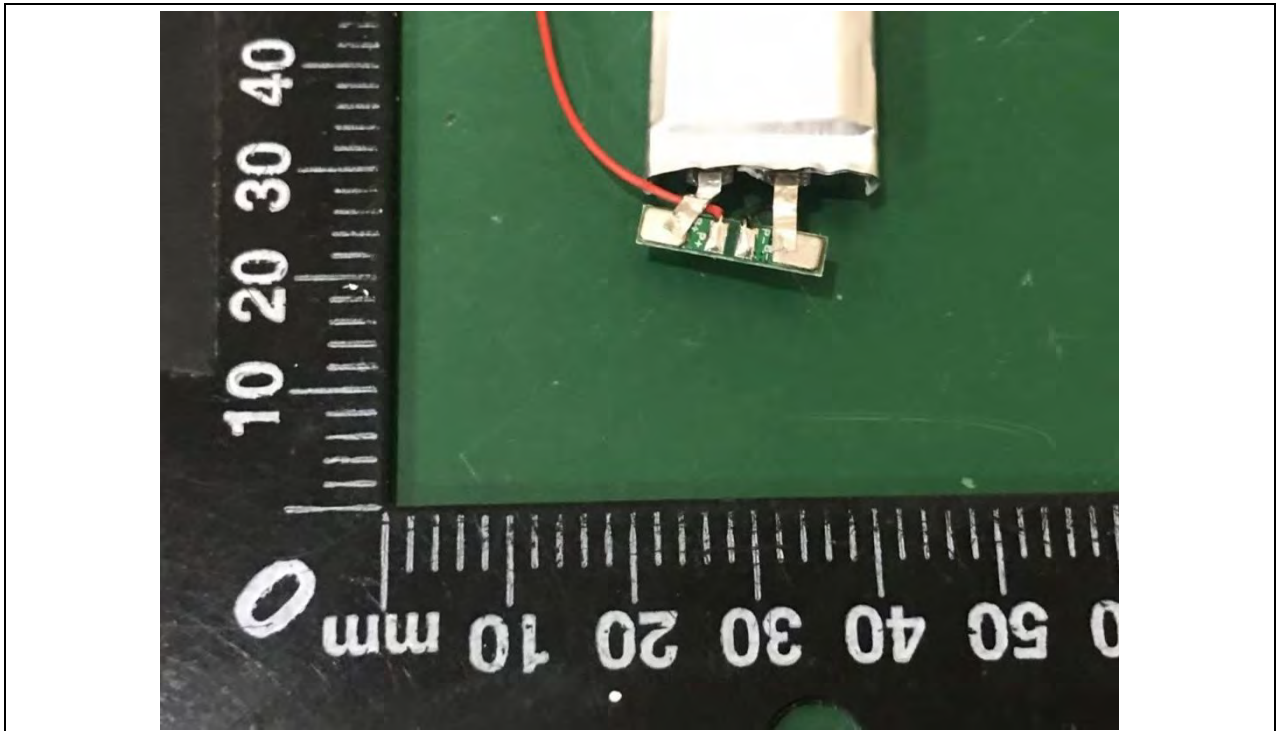
**Fig. 3**



**Fig. 4**



**Photos**



**Fig. 5**



**Fig. 6**

--- End of Report ---